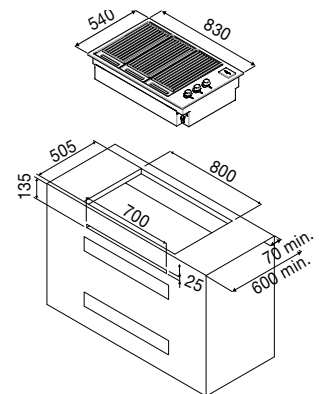


## Barbecue 800

FOBQ 803 G X



- AISI 316 stainless steel
- NG or LPG supply
- 3 in-line tubular gas burners
- Metal knobs
- Battery-operated electronic ignition
- 3 stainless steel grill racks
- Removable drip tray



## Features

The Fulgor Milano built-in barbecue in AISI 316 stainless steel has 3 tubular gas burners, with a total power of approximately 11,4 kW. Special gas conversion nozzles are supplied as standard to allow the use with both NG and LPG. The in-line arrangement of the burners allows you to separate the cooking zones and also allowing the use of different temperatures. The BBQ is equipped with Gas-Stop safety devices. Among the accessories on request, in addition to a TappanYaki griddle and the different types of grates, two different lid models are available (high and low).



STAINLESS STEEL  
 FOBQ 803 G X  
 EAN 8019801027392

# BBQ

BARBECUE GAS 800



| <b>FOBQ 803 G X</b>               |                   |
|-----------------------------------|-------------------|
| Type                              | Built-In Barbecue |
| Finish                            | Stainless steel   |
| <b>FEATURES</b>                   |                   |
| Knob material / no.               | Steel / 3         |
| Grates (material)                 | Stainless steel   |
| Tubular burners                   | 3                 |
| Inner tub                         | Black enamel      |
| Steel knob                        | -                 |
| Supply                            | Gas               |
| Grates no.                        | 3                 |
| Gastronorm liquid-collection tray | •                 |
| Heating grid                      | -                 |
| Total gas burner power            | 11.4 kW           |
| Electronic ignition               | •                 |
| Battery ignition                  | •                 |
| Thermometer                       | -                 |
| Gas types                         | NG - LPG          |
| <b>DIMENSIONS</b>                 |                   |
| Cooking zone width (mm)           | 650               |
| Product (W x H x D) mm            | 830 x 189 x 540   |
| Built-In Cut Out (W x H x D) mm   | 800 x 210 x 505   |