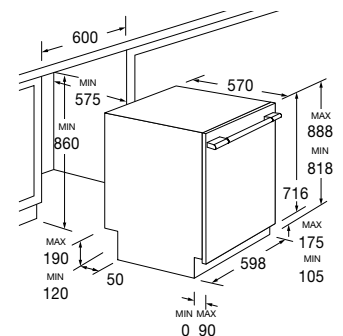


Dishwasher 60

FPDW 82103 XX



- Stainless steel finish + professional handle
- 13 place settings
- Auto-balanced door
- Double-fulcrum hinge
- External operating mode LED
- Stainless steel finish
- 10 programs - 5 temperatures
- Delayed start
- End-of-cycle door release
- Protection against water leaks
- Energy class D - Washing Efficiency class A



Features

Dishwasher characterized by the stainless-steel aesthetics of the door with the distinctive element of the Sofia PRO handle, it is equipped with three baskets for an optimal and flexible distribution of the dishes. It features a self-balancing door for maintaining the selected opening position and it is equipped with hinges with variable fulcrum and adjustable toe-kick up to 10 cm. Moreover, it has the 3/1 option, allowing the use of detergents integrated with salt and rinse aid. The Soft Touch control panel, in the upper inner part of the door, allows users to select the washing program and warns them when salt and rinse aid are running low. The hot water (max 60 °C) hook-up option reduces electricity consumption by 30%. The lower rack holds dishes up to 30 cm in diameter. Delayed start from half an hour to 24 hours and end-of-cycle door release.

The safety devices include AcquaStop, level sensors and seals against water leaks.



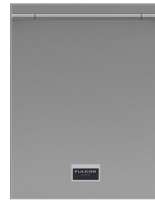
STAINLESS STEEL
FPDW 82103 XX
EAN 8019801023318



PRO HANDLE

PROFESSIONAL

DISHWASHER



FPDW 82103 XX	
Type	Integrated
Finish	Stainless steel door and handle
PERFORMANCE	
Efficiency class	D (ex A +++)
Washing class	A
Drying class	A
Water consumption (Litres / cycle)	12 L
Estimated annual energy consumption (Kwh)	258
Estimated annual water consumption (litres)	3360 L
Sound level dB (A) re 1pW	44
FEATURES	
Max place setting no. / IEC	13
Electronic control	•
Delayed start (hours)	1/2 - 24
Digital display	White
Interior light	-
End-of-cycle light indicator	•
Multi tablets dispenser	•
Drying with door auto opening	•
Cold/hot water supply (max 60°C)	•/•
SAFETY	
AcquaStop	•
No salt indicator	•
No rinse aid indicator	•
Water softener adjustable from 0 to 90 ° dF	Electronic regulation
STRUCTURAL FEATURES	
AISI 304 s. steel interior / counterdoor	• / •
Retractable electric heating element	•
Stainless steel adjustable upper rack	3-level button
Stainless steel folding rack	•
3rd upper rack	•
Max kitchenware ø (mm) in the upper rack	235
Max kitchenware ø (mm) in the lower rack	300
POWER RATING	
Voltage / Frequency (V - Hz)	220 - 230 / 50
Power cord (m)	1.5
Plug (Schuko)	•
WEIGHT, DIMENSIONS, INSTALLATION	
Net weight (kg)	41.5
Gross weight (kg)	43.5
Height (mm)	818 - 868
Width (mm)	598
Depth (mm)	550
Door opening	Double-action pivot hinge
Built-In Cut Out (W x H x D) mm	598 x (min 818 - MAX 888) x 570
Baseboard regulation (mm)	120 - 190
Rear feet front regulation	•