

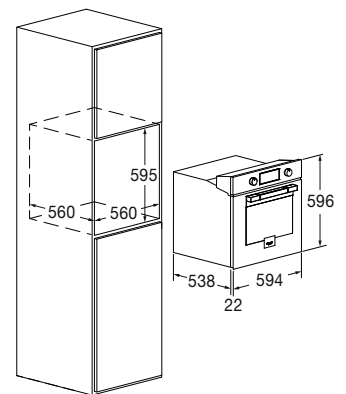


## Multifunction Oven 60

FUO 6009 MT MBK



- Matte Black Metal finish
- Metal knobs
- 9 functions
- Digit Timer (on-off) | Knobs
- Ventilation cooking
- Soft Closing
- Telescopic rails
- 3-pane glass cool-touch door
- Energy Class A



## Features

This product stands out for its classic user-friendly knob control completed with a functional digital display. The various timing functions are easy to set and clearly intelligible. The oven features a 65 l ultra black enamelled cooking chamber. Moreover, it's fitted with an efficient safety system, including tangential cooling ventilation.

This product comes with the following accessories: set of fully removable telescopic rails, a tray, and a flat rack.



MATTE BLACK METAL  
FUO 6009 MT MBK  
EAN 8019801027903

# URBANTECH

MULTIFUNCTION OVEN 60



FUGOR 6009 MT MBK	
Type	Multifunction
Code FUTO 6009 MT IX Code FUTO 6009 MT GBK Code FUGOR 6009 MT MBK	Stainless steel Black Glass Matte Black Metal
<b>FEATURES</b>	
Interiors: enamelled / other	Ultra Black Piro / -
Efficiency class	A
Capacity (litres)	65 L
Forced cooling / Functions no.	• / 9
<b>PERFORMANCE</b>	
Max cooking temperature	250 °C
Assisted cleaning (CLEAN)	•
<b>CONTROLS</b>	
Control type	Digital timer with knobs
Auto power off / Internal light	• / •
<b>SAFETY</b>	
Cool-touch door / no. of glass panes	• / 3
SOFT-CLOSING DOOR	•
<b>ACCESSORIES</b>	
Lighting (Halogen, 20 W) no.	1
Set of telescopic rails no.	1
Trays no. / type   flat racks no.	1 / enamelled   1
<b>POWER RATING</b>	
Max electrical power (W)	3500 W
Voltage / Frequency (V - Hz)	220 - 240 V; 50 - 60 Hz
Power cord	•
Plug	Schuko
<b>DIMENSIONS</b>	
Dim. Product (W x H x D) mm	594 x 596 x 560
Built-In Cut Out (W x H x D) mm	560 x 595 x 560