

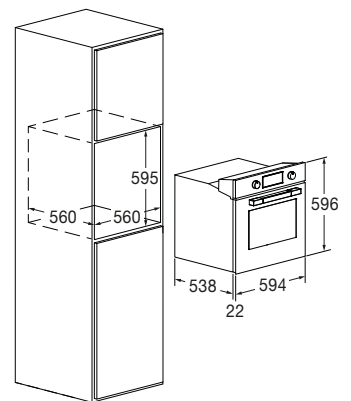


## Multifunction Oven 60

FUTO 6009 MT IX



- Stainless steel finish
- Metal knobs
- 9 functions
- Digit Timer (on-off) | Knobs
- Ventilation cooking
- Soft Closing
- Telescopic rails
- 3-pane glass cool-touch door
- Energy Class A



## Features

This product stands out for its classic user-friendly knob control completed with a functional digital display. The various timing functions are easy to set and clearly intelligible. The URBANTECH oven reveals a unique, pleasant, essential design that doesn't go unnoticed. The oven features a 65 l ultra black enamelled cooking chamber. Moreover, it's fitted with an efficient safety system, including tangential cooling ventilation.

This product comes with the following accessories: set of fully removable telescopic rails, enamelled tray, and flat rack.



STAINLESS STEEL  
FUTO 6009 MT IX  
EAN 8019801032129

# URBANTECH

MULTIFUNCTION OVEN 60



FUTO 6009 MT IX	
Type	Multifunction
Finish	Stainless steel
<b>FEATURES</b>	
Interiors: enamelled / other	Ultra Black Piro / -
Efficiency class	A
Capacity (litres)	65 L
Forced cooling / Functions no.	• / 9
<b>PERFORMANCE</b>	
Max cooking temperature	250 °C
Assisted cleaning (CLEAN)	•
<b>CONTROLS</b>	
Control type	Digital timer with knobs
Auto power off / Internal light	• / •
<b>SAFETY</b>	
Cool-touch door / no. of glass panes	• / 3
SOFT-CLOSING DOOR	•
<b>ACCESSORIES</b>	
Lighting (Halogen, 20 W) no.	1
Set of telescopic rails no.	1
Trays no. / type   flat racks no.	1 / enamelled   1
<b>POWER RATING</b>	
Max electrical power (W)	3500 W
Voltage / Frequency (V - Hz)	220 - 240 V; 50 - 60 Hz
Power cord	•
Plug	Schuko
<b>DIMENSIONS</b>	
Dim. Product (W x H x D) mm	594 x 596 x 560
Built-In Cut Out (W x H x D) mm	560 x 595 x 560