

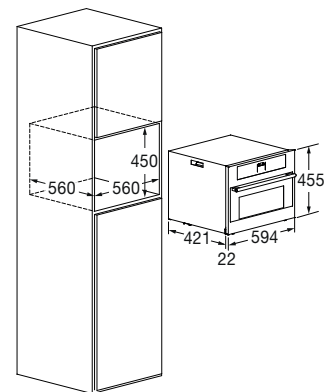


Wine Cellar 45

FWC 4500 TC FO BK



- Black Glass finish
- Digital touch display
- Drop-down door
- Adjustable temperature between 5 and 20 °C
- Capacity: 22 Ø 76 mm bottles
- Telescopic rails
- Soft Closing



Features

FULGOR MILANO's wine cellars are ideal for storing wine. You can set the storage temperature based on the type of wine, with a thermal condition that ranges between 5 °C and 20 °C. Temperature is adjusted using the user-friendly Touch Control system.

Moreover, the cellar is equipped with antivibration and anticondensation systems and a UV-insulating glass pane. Internal LED lighting. The cellar's door is fitted with a SOFT CLOSING system that slows the closing movement. This appliance comes with the following accessories: 3 beech wood sliding champagne shelves (4 bottles).



BLACK GLASS
FWC 4500 TC FO BK
EAN 8019801032310

PLANO

WINE CELLAR 45



FWC 4500 TC FO BK	
Type	Wine cellar
Bottle no. (Ø 76 mm)	22
Finish	Black Glass
Drop-down door	•
PERFORMANCE	
Cooling system	Ventilated
Temperature zones	1
Adjustable temperature (°C)	from 5 to 20
Efficiency class	G
Anti-vibration system	•
Anti-condensation system	•
Climate class	SN-T
Sound level dB (A) re1pW	39
CONTROL SYSTEM	
	Electronic regulation
	Digital touch display
	Double automatic hot/cold circuit
	Control light indicator
ACCESSORIES	
UV-insulating glass pane	•
Lighting	LED
Sliding wooden shelves / type	3 / Beech
Champagne shelf (4 bottles)	1
POWER RATING	
Max power absorbed at 220 V	80W
Power supply (V - Hz)	220-240 / 50
Plug (Schuko)	•
DIMENSIONS	
Product (W x H x D) mm	594 x 452 x 556
Built-In Cut Out (W x H x D) mm	450 x 560 x 560