

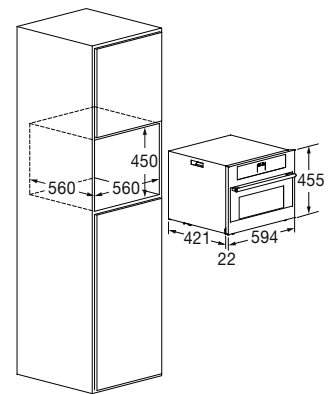


**Wine Cellar 45**

**FWC 4500 TC FO X**



- Stainless steel finish
- Digital touch display
- Drop-down door
- Adjustable temperature between 5 and 20 °C
- Capacity: 22 Ø 76 mm bottles
- Telescopic rails
- Soft Closing



**Features**

FULGOR MILANO's wine cellars are ideal for storing wine. You can set the storage temperature based on the type of wine, with a thermal condition that ranges between 5 °C and 20 °C. Temperature is adjusted using the user-friendly Touch Control system.

Moreover, the cellar is equipped with antivibration and anticondensation systems and a UV-insulating glass pane. Internal LED lighting. The cellar's door is fitted with a SOFT CLOSING system that slows the closing movement. This appliance comes with the following accessories: 3 beech wood sliding champagne shelves (4 bottles).



STAINLESS STEEL  
 FWC 4500 TC FO X  
 EAN 8019801032303



FWC 4500 TC FO X	
Type	Wine cellar
Bottle no. (Ø 76 mm)	22
Finish	Stainless Steel
Drop-down door	•
<b>PERFORMANCE</b>	
Cooling system	Ventilated
Temperature zones	1
Adjustable temperature (°C)	from 5 to 20
Efficiency class	G
Anti-vibration system	•
Anti-condensation system	•
Climate class	SN-T
Sound level dB (A) re1pW	39
<b>CONTROL SYSTEM</b>	
	Electronic regulation
	Digital touch display
	Double automatic hot/cold circuit
	Control light indicator
<b>ACCESSORIES</b>	
UV-insulating glass pane	•
Lighting	LED
Sliding wooden shelves / type	3 / Beech
Champagne shelf (4 bottles)	1
<b>POWER RATING</b>	
Max power absorbed at 220 V	80W
Power supply (V - Hz)	220-240 / 50
Plug (Schuko)	•
<b>DIMENSIONS</b>	
Product (W x H x D) mm	594 x 452 x 556
Built-In Cut Out (W x H x D) mm	450 x 560 x 560