

COOKTOP 400 SERIES 24"



CODE ID

24" GAS COOKTOP

F4GK24S1



Heavy Duty Grates



Continuous Grate Surface



Dual Burner



Stainless Steel

SPECIFICATIONS

GAS COOKTOP

4 gas burners with 1 Dual Flame burner
Electric Re-ignition system
Flame-out Sensing
Heavy duty cast iron grates

OPTIONAL ACCESSORIES

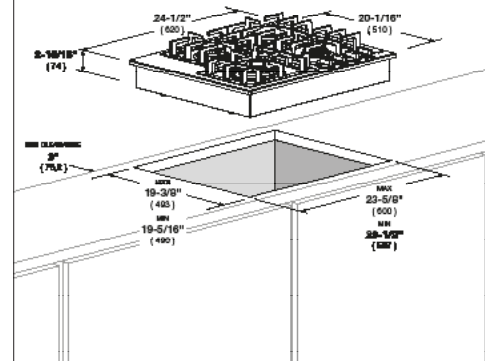
FMWOK	Wok Ring
FMSIM	Simmer Plate
FMSPP	Small Pot Adapter



This product meets ADA (Americans with Disabilities Act) requirements. Please check with your local municipality's codes and stipulations for additional details to ensure compliance.

COOKTOP 400 SERIES

24" GAS COOKTOP



CODE ID	24" GAS COOKTOP F4GK24S1	
Series	400	
Finish	Stainless Steel	
CONTROL PANEL		
Control Type	Knobs	
COOKTOP		
Type	GAS (NG or LP)	
Cooking Surface	Matte Black Enamel	
GAS COOKTOP FEATURES		
Electric Re-ignition system	•	
Flame-out sensing	•	
Dual Flame Burner	•	
Simmer Plate	Optional	
Small Pot Insert (for single burners only)	Optional	
Wok Ring (for dual burner only)	-	
Heavy Duty Cast Iron Grates	4	
Cooking Zones	4	
Burners types	Sealed Burners (all) - Dual Flame/Simmer Burner (only Front-L)	
Power (Max/Min) (Left)	-	
Power (Max/Min) (Front-L)	18000 (BTU/h) - 5275W / 700 (BTU/h) - 205W	
Power (Max/Min) (Rear-L)	6300 (BTU/h) - 1850W / 1300 (BTU/h) - 380W	
Power (Max/Min) (Front Center)	-	
Power (Max/Min) (Rear Center)	-	
Power (Max/Min) (Front-R)	4000 (BTU/h) - 1175W / 1000 (BTU/h) - 295W	
Power (Max/Min) (Rear-R)	12000 (BTU/h) - 3520W / 2200 (BTU/h) - 645W	
DIMENSIONS/WEIGHT		
Overall dim - Width	24 - 1/2"	620 mm
Overall dim - Height	5 - 3/16"	132 mm
Overall dim - Depth	20 - 1/16"	510 mm
Cut-out - Width (min - max)	23 - 1/2", 23 - 5/8"	597 mm - 600 mm
Cut-out - Height (min)	2 - 15/16"	74 mm
Cut-out - Depth (min - max)	19 - 5/16", 19 - 3/8"	490 mm - 493 mm
Gross Weight	41 lbs	19 kg
POWER / RATINGS (120 V, 60 HZ)		
Amps	0.1A	
Max Power	40300 (BTU/h) - 11800W	
Power Cable	Nema 5 - 15P	
INSTRUCTIONS FOR USE		
Use & Care Manual / Installation Manual	English / French / Spanish	