

# OVEN 400 SERIES 30"



CODE ID

OVEN 400 SERIES 30"

**F4SP30S1**



True Convection



Self Clean Oven



Multi-level cooking



Cool Touch Door



Interior Lighting

## OVEN

Knob and electronic controls  
Single fan true convection  
Self-cleaning oven with Multifunction baking  
Black Porcelain enamel interior  
Cool to the touch  
Extra-large baking cavity and viewing area  
3 Halogen lights for flawless visibility  
Gross capacity 4.4 cu. ft.  
2 chromed racks  
Enameled Broiler Pan

## OVEN FUNCTIONS

Convection Bake  
Convection Broil  
Convection Roast  
Bake  
Broil  
Thaw (Defrost)  
Self-Clean

## OPTIONAL ACCESSORIES

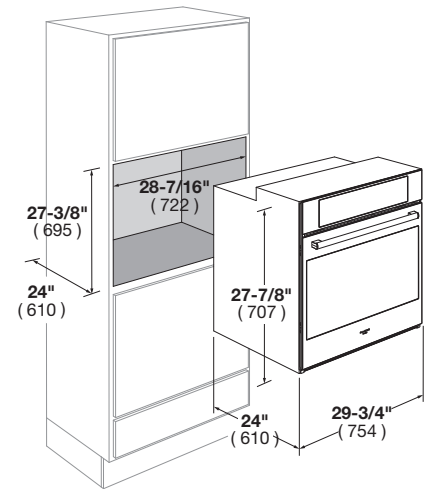
FMTR630 30" Telesc. Rack



This product meets ADA (Americans with Disabilities Act) requirements. Please check with your local municipality's codes and stipulations for additional details to ensure compliance.

# DISTINTO

30" OVEN 400



| CODE ID                                    | F4SP30S1 - 30" OVEN 400                           |                |
|--|---|----------------|
| Series and Finish                          | 400 Series - Stainless Steel                      |                |
| <b>CONTROL PANEL</b>                       |   |                |
| Control Type                               | Electronic  |                |
| Display: Clock - Temperature - Timer       | Red LED   |                |
| Language                                   | English   |                |
| <b>OVEN</b>                                |   |                |
| Type                                       | True Convection                                   |                |
| Temperature Regulation                     | Electronic Control (min/max 120/485°F - 50/250°C) |                |
| <b>OVEN FUNCTIONS</b>                      |   |                |
|  | Pyrolytic Self-Clean                              | Bake           |
|  | True Convection                                   | Broil          |
|  | Convection Bake                                   | Thaw (Defrost) |
|  | Convection Broil                                  | Oven Lights    |
|  | Convection Roast                                  |                |
| <b>ELECTRIC OVEN FEATURES</b>              |   |                |
|  | Temperature Display °C/°F                         |                |
| <b>OVEN DOOR(S)</b>                        |   |                |
| Oven Glass Window                          | Large See Through Glass                           |                |
| Door Cooling System                        | 4 Heat Resistant Glasses                          |                |
| Door Hinges                                | Heavy Duty Steady Tilt                            |                |
| <b>OVEN CAVITY</b>                         |   |                |
| Gross Capacity (cbft)                      | 4.4   |                |
| Usable Capacity (cbft)                     | 4.1   |                |
| Cavity Enamel Colour                       | Black   |                |
| Rack Positions                             | 6   |                |
| Oven Lights                                | 3x20W Halogen                                     |                |
| <b>HEATING ELEMENTS (@240V)</b>            |   |                |
| Broil Upper Heating Element                | 3100 W  |                |
| Upper Auxiliary Element                    | 1032 W  |                |
| Lower Auxiliary Element                    | 600 W   |                |
| Concealed Bake Lower Heating Element       | 1400 W  |                |
| Convection Element                         | 2500 W  |                |
| <b>OVEN ACCESSORIES</b>                    |   |                |
| Chromed Racks                              | 2   |                |
| Enameled Broiler Pan (basin + anti splash) | 1   |                |
| Telescopic Chromed Rack                    | Optional  |                |
| <b>DIMENSIONS/WEIGHT</b>                   |   |                |
| Overall dim - Width                        | 29 - 11/16"                                       | (754 mm)       |
| Overall dim - Height                       | 27 - 7/8"   | (707 mm)       |
| Overall dim - Depth                        | 24"   | (610 mm)       |
| Cut-out - Width                            | 28 - 7/16"  | (722 mm)       |
| Cut-out - Height (min)                     | 27 - 1/4"   | (692 mm)       |
| Cut-out - Depth (min)                      | 23 - 1/4"   | (590 mm)       |
| Gross Weight                               | 181 lbs   | (82 kg)        |
| <b>POWER / RATINGS (208/240 V, 60 HZ)</b>  |   |                |
| kW / Amps rating at 120-240V, 60Hz         | 3.70kW - 16.1A                                    |                |
| kW / Amps rating at 120-208V, 60Hz         | 3.49kW - 17.1A                                    |                |
| Power Cable                                | Conduit   |                |
| <b>INSTRUCTIONS FOR USE</b>                |   |                |
| Use & Care Manual / Installation Manual    | English / French / Spanish                        |                |