

SOFIA PROFESSIONAL 30"



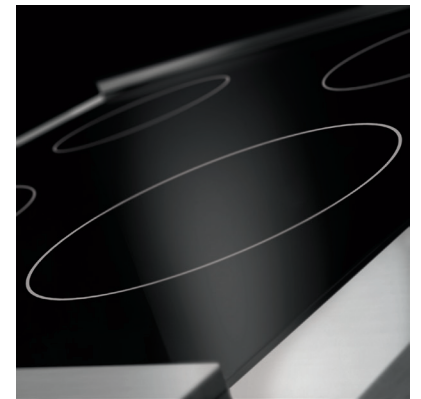
CODE ID

30" PROFESSIONAL INDUCTION RANGE TOP

F6IRT304S1



-  Easy Clean Ceramic Glass
-  Power Boost Burner
-  Pan Detection system
-  Digital Controls
-  Residual Heat Sensor
-  Warming Function
-  Professionally Styled Knobs



SPECIFICATIONS

4 Single Induction cooking zones
Elegant Ceramic glass surface
Premium induction technology for unsurpassed performance
Booster function for each cooking zone
Residual heat and Power on Indicators
Melting and Simmering functions
Pot Detection System
Child Lock Function
Failure Codes Indication
Digital Display for Power Level
Automatic Heat-up Time

OPTIONAL ACCESSORIES

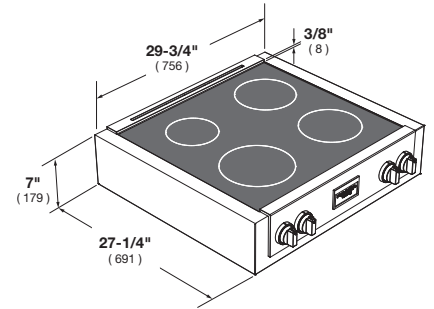
F6BG30IND	Island trim
F6BG30STD	Standard trim
F6BG30HBT	High back trim
F6BG30BCI	Island trim
INDUKIT4	Induction plate adapters



This product meets ADA (Americans with Disabilities Act) requirements. Please check with your local municipality's codes and stipulations for additional details to ensure compliance.

SOFIA

PROFESSIONAL INDUCTION RANGE TOP



CODE ID		30" PROFESSIONAL INDUCTION RANGE TOP F6IRT304S1	
Series	600		
Finish	Professional Design - Ceramic and Stainless Steel		
CONTROL PANEL			
Control Type	4 Heavy Duty Knobs		
COOKTOP			
Type	INDUCTION		
Cooking Surface	Ceramic Glass		
INDUCTION COOKTOP FEATURES			
Pot Detection System	•		
Child Lock Function	•		
Failure Codes Indication	•		
Knob for Power Setting (illuminated)	•		
Power Levels	1 to 9		
Digital Display for Power Level	Optional		
Melting Function 113°F / 45°C	2		
Warming Function 158°F / 70°C	4		
Booster/Fast Boil Function for Each Zone	•		
Automatic Heat-up Time	•		
Residual Heat Indication	•		
Cooking Zones	4		
Burners types (Front-L/Front-R) - Power (Max/Booster)	Inductor 9" (230 mm)	2300W / 3700W	
Burners types (Rear-L/Rear R) - Power (Max/Booster)	Inductor 6 - 1/2" (165 mm)	1400W / 2200W	
Burners types (Outer Middle) - Power (Max/Booster)	Inductor 7 - 3/4" (200 mm)	1850W / 3000W	
DIMENSIONS/WEIGHT			
Overall dim - Width	29 -3/4"	758 mm	
Overall dim - Height	7"	179 mm	
Overall dim - Depth	29 -3/4"	756 mm	
Cut-out - Width	30"	762 mm	
Cut-out - Height (min)	7"	179 mm	
Cut-out - Depth (min - max)	24", 25 - 1/2"	610 - 644mm	
Gross Weight	79 lbs	36 kg	
POWER / RATINGS (120 V, 60 HZ)			
kW / Amps rating at 240V, 60Hz	7.2 kW - 30A		
kW / Amps rating at 208V, 60Hz	-		
Power Cable	Conduit		
INSTRUCTIONS FOR USE			
Use & Care Manual / Installation Manual	English / French / Spanish		