

BUILT-IN WINE CELLAR 24"



CODE ID

F7IBW24O2-R (RIGHT HINGE)

CODE ID

F7IBW24O2-L (LEFT HINGE)



RIGHT HINGE



LEFT HINGE



Deep-freezing



Hot air ventilation



Rapid Deep Freezing



LED lighting



Noise Level 41 (dB)



Integrated Installation



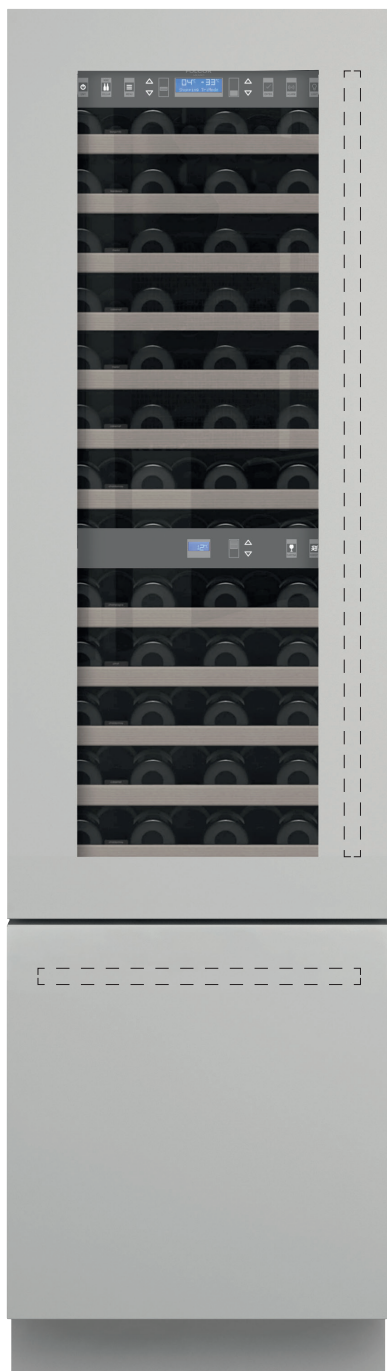
Holiday Mode



Triple Pane Glass



54 Bottles Capacity



SPECIFICATIONS

WINE CELLAR

Overlay Panel
Cave Storage Compartment
Natural Wood Shelves for 36 bottles
Wine Cellar Compartment
Natural Wood Shelves for 18 bottles
TriplePlay Refrigeration
Total No Frost
LED Lighting
Brilliant white aluminium interior
FlexZone Bottom Drawer

OPTIONAL ACCESSORIES

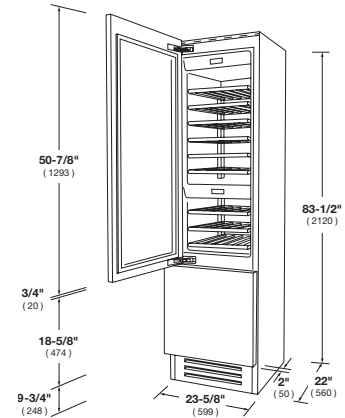
REFHANDPRO24
Sofia Wine Cellar Pro Handle Kit

REFHANDPRO24
Sofia Wine Cellar Pro Handle Kit

REFHANDPRO24
Sofia Wine Cellar Pro Handle Kit

WINE CELLAR

24" OVERLAY BUILT-IN WINE CELLAR



CODE ID	24" BUILT-IN WINE CELLAR F7IBW24O2-L (LEFT HINGE) F7IBW24O2-R (RIGHT HINGE)	
Series	700	
Finish	Overlay Panel	
PERFORMANCES/CAPACITY		
Noise Level db	41	
Riserva Compartment capacity (bottles)	36	
Wine Cellar Compartment capacity (bottles)	18	
Flexzone Bottom-Drawer capacity (cbft)	2	
FEATURES		
Riserva storage compartment		
Natural wood shelves	6	
Wine Cellar Compartment		
Natural wood shelves	3	
Flexzone Bottom-Drawer		
White Painted Drawers	1	
Internal Drawers	1	
LED lighting	•	
Glass door	•	
Equipment		
TriplePlay Refrigeration	•	
No Frost	•	
Flexzone	•	
TruPivot hinges	•	
DIMENSIONS/WEIGHT		
Width in	23 - 5/8"	600 mm
Height in	83 - 1/2"	2121 mm
Depth without handle in	24"	610 mm
Minimum niche height in	84"	2134 mm
Door clearance in	46"	1168 mm
Door opening angle	105°	
Net Weight	386 lbs	175 kg
POWER / RATINGS (115 V, 60 HZ)		
Watts / Amps	472W - 4.1A	
Power Cable	Nema 5-15P	
INSTRUCTIONS FOR USE		
Use & Care Manual / Installation Manual	English / French / Spanish	