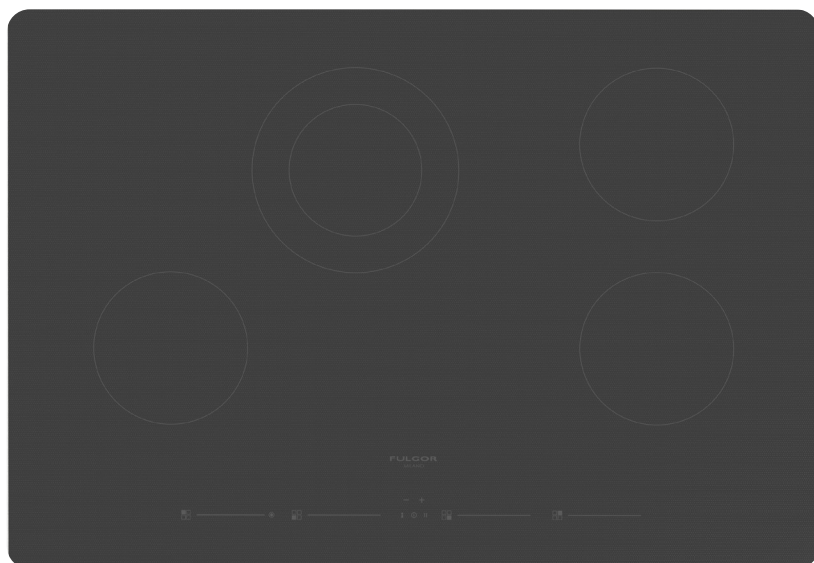


30" VETROCERAMIC COOKTOP

700 SERIES

CODE ID

F7RT30B1



Easy Clean Ceramic Glass



Slide Touch Control



Residual Heat Sensor



Digital Minute Minder

VETROCERAMIC COOKTOP

4 Vetroceramic cooking zones
Slide touch control for power setting
Elegant Ceramic glass surface
Melt Function
Residual heat and Power on Indicators
Digital Minute Minder

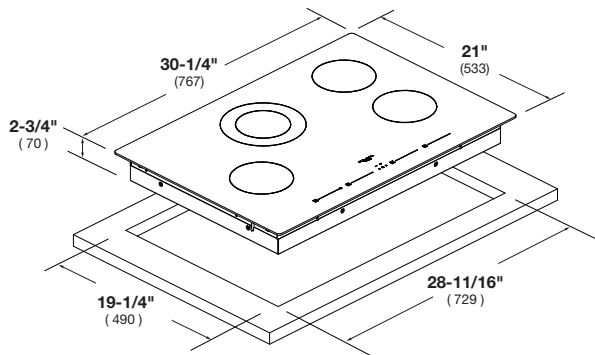
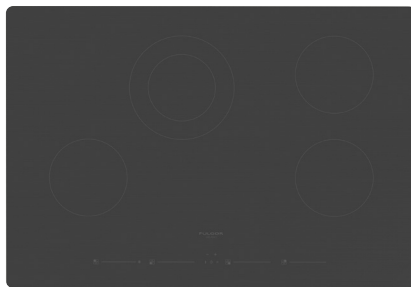
Child Lock Function
Independent timer for each zone
Pause function
Failure Codes Indication
Digital Display for Power Level
Automatic Heat-up Time



This product meets ADA (Americans with Disabilities Act) requirements. Please check with your local municipality's codes and stipulations for additional details to ensure compliance.

30" VETROCERAMIC COOKTOP

700 SERIES



CODE ID		30" BUILT-IN VETROCERAMIC COOKTOP F7RT30B1
Size		30"
Colour		Black
Heating Technology		Radiant Heaters
Glass Type		Glass Ceramic
Control type		Touch TC FLEX
CONTROL FEATURES		
Slide touch control for power setting		•
Power levels		1 to 9
Digital display for power level indication (7 segments)		•
Led bar for power level indication		•
Melting Function (Led Indicator)		•
Residual heat indication for each zone (HOT)		•
Minute minder functions for each zone + one general (Led Indicator)		1+4
Key Lock (Led Indicator)		•
Pause/recall (Led Indicator)		•
General ON/OFF Key (Led Indicator)		•
Dedicated ON/OFF Key for each zone		•
Acoustic buzzer		•
SINGLE ZONE 1		
		Front Right Zone
Size		5" 3/4 (145mm)
Power		1200W
SINGLE ZONE 2		
		Front Left Zone
Size		5" 3/4 (145mm)
Power		1200W
SINGLE ZONE 3		
		Rear Left Zone
Size		7-5/8" / 4-7/8" (195/125mm)
Power L9		1900W (1100+800W)
SINGLE ZONE 4		
		Rear Right Zone
Size		5" 3/4 (145mm)
Power L9		1200W
DIMENSIONS/WEIGHT - (IN OR LBS)		
Overall dim - width		30 1/4" (767mm)
Overall dim - depth		21" (533mm)
Overall dim - height (without Conduit)		3" (75mm)
Cutout - width (min - max)		min. 28-11/16" (729 mm) - max 28 15/16" (735 mm)
Box - height		2 3/4" (70mm)+ conduit 1" 1/8 (30mm)
Cutout - depth (min - max)		min. 19-1/4" (490 mm) - max 19 9/16" (497 mm)
Approx ship weight		33lb (15Kg)
POWER / RATINGS (208/240 V, 60 HZ)		
KW/Amps rating at 240V, 60Hz		5.50kW - 22.9 Amps
KW/Amps rating at 208V, 60Hz		4.10kW - 19.7Amps
Cable + Conduit		•
INSTRUCTIONS FOR USE		
Use & Care Manual		EN, SP, FR
Installation Manual		EN, SP, FR