

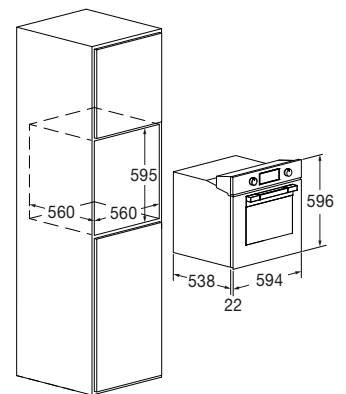


## Multifunction oven pyro 60

FUTO 6011 P MT IX



- Stainless steel finish
- Metal knobs
- 9 functions
- Pyrolytic self-cleaning oven
- Digit Control | Knobs
- Ventilation cooking
- Soft Closing
- Telescopic rails
- 4-pane glass cool-touch door
- Energy Class A+



## Features

This product stands out for its user-friendly knob control completed with a functional digital display. The various timing functions are easy to set and clearly intelligible. The oven features a 65 l ultra black enamelled cooking chamber. Moreover, it's fitted with an efficient safety system, including a door with an automatic lock during the self-cleaning cycle, a control panel with safety switch and tangential cooling ventilation.

This product comes with the following accessories: set of fully removable telescopic rails, a tray, and two flat grill racks.



STAINLESS STEEL  
FUTO 6011 P MT IX  
EAN 8019801032907

# URBANTECH

PIRO MULTIFUNCTION OVEN 60



FUTO 6011 P MT IX	
Type	Self-cleaning multifunction
Finish	Stainless steel
Interiors: enamelled / other	Ultra Black Piro / -
<b>FEATURES</b>	
Efficiency class	A +
Capacity (litres) / Functions no.	65 L / 9
Forced cooling	•
<b>PERFORMANCE</b>	
Max cooking temperature	250° C
Pyrolysis temperature	470° C
Pyrolytic	•
<b>CONTROLS</b>	
Control type	Digit Control with knobs
Auto power off	•
Booster	-
Internal light	•
<b>SAFETY</b>	
Door lock (during pyrolysis)	•
Cool-touch door / no. of glass panes	• / 4
<b>ACCESSORIES</b>	
Lighting (Halogen, 20 W) no.	2
Set of telescopic rails no.	1
Trays no. / type	1 / enamelled
Flat racks no.	2
<b>POWER RATING</b>	
Max electrical power (W)	3350 W
Voltage / Frequency (V - Hz)	220 - 240 V; 50 - 60 Hz
Power cord / Plug	• / Schuko
<b>DIMENSIONS</b>	
Dim. Product (W x H x D) mm	594 x 596 x 560
Built-In Cut Out (W x H x D) mm	560 x 595 x 560