

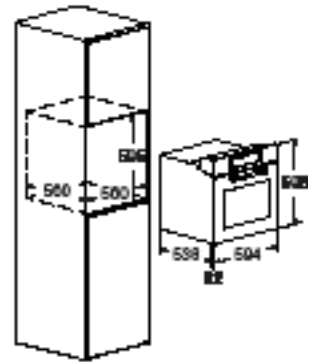


## ATMOS Cluster Steam Oven 60

FCLSO 6023 TEM BK



- Deep Black finish
- Classic Pizza mode + AirFry (oven-frying) function)
- Meat probe
- TFT touch control display
- 1300 ml water tank
- 11 classic cooking functions
- 6 steam cooking functions
- 7 special cooking functions
- 100% steam in 5 minutes
- Soft Closing
- Energy Class A++



## Features

ATMOS, FULGOR MILANO's steam oven has 24 cooking functions, ideal for complex and easy preparations. Premium household appliance with an automatic control panel opening system to help you fill the water tank without opening the oven. Numerous recipes are available, even for prolonged cooking (up to 3 hours of continuous steam). Water level sensor and reset notice. Cavity and circuit cleaning and descaling functions.

This product comes with the following accessories: fully removable telescopic rails, a Meat Probe, a stainless steel steam kit (perforated tray and surface with support), an AirFry tray, an enamelled tray, and a flat grill rack.



DEEP BLACK GLASS  
FCLSO 6023 TEM BK  
EAN 8019801031993

# CLUSTER

ATMOS 60" STEAM OVEN



FCLSO 6023 TEM BK			
Type	Combined Steam		
Dimension	60		
Structure - Finish	Deep Black		
Temperature regulation	Electronic		
<b>FEATURES</b>			
Efficiency class	A++		
Capacity (litres)	65		
Forced cooling	•		
Meat probe	•		
Sizes	Timer 12 / 24 - Temperature °C / °F - Weight Kg / lb		
Cooking functions	Classic 11	Steam 6	Special 7
Max cooking temperature	250 °C		
Grill power (W)	1200 + 1000		
Steam cooking autonomy	> 3 hours		
Water tank capacity	1.5 l (Topping up without door opening)		
Dashboard opening - touch control	•		
<b>FUNCTIONS</b>			
	Classic Pizza function at 250 °C		AirFry (oven-frying)
	Steam cooking from 30 ° to 100°C		Pre-loaded and editable recipes
	Puff function		Low-temperature cooking
	Sous vide		Defrost function with steam
	Leavening function		Regeneration (180 °C)
<b>CONTROL PANEL</b>			
Display   Control type	TFT 3.5"   MODULAR - Electronic (double full touch keypad)		
Fast recipe selection	•		
Languages	15		
<b>FEATURES</b>			
	Demo Mode		Steam cleaning function
	Beep volume setting		Circuit cleaning function
	Display brightness setting		Sabbath mode
	Descaling function		Event logs (for assistance)
<b>OVEN DOOR</b>			
Cool touch - no. of glass panes	3		
Closure	soft closed		
<b>ACCESSORIES</b>			
Side rack levels	5 (removable side racks)		
Rectangular halogen light (20 W)	2		
Fully removable telescopic rails	1 pair		
S. Steel Gastronorm perforated tray	1		
Gastronorm tray	1		
Tray support frame	1		
Enamelled trays	1		
Enamelled tray AirFry	1		
Flat racks	1		
<b>DIMENSIONS</b>			
Product (W x H x D) mm	594 x 596 x 560		
Built-In Cut Out (W x H x D) mm	560 x 595 x 560		
<b>ELECTRICAL FEATURES</b>			
Max electrical power	3.50 kW		
Voltage / Frequency (V - Hz)	220 - 240 V; 50 Hz		
Power cord	•		
Plug	Schuko		