

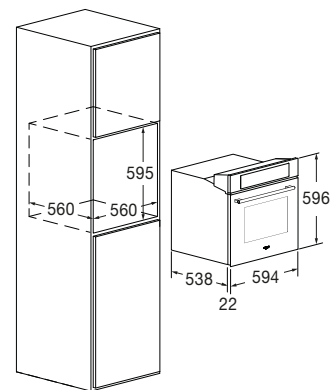


ATMOS Plano Steam Oven 60

FCSO 6023 TEM X



- Stainless steel finish
- Classic Pizza Mode
- AirFry (oven-frying) function
- TFT touch control display
- 1300 ml water tank
- 11 classic cooking functions
- 6 steam cooking functions
- 7 special cooking functions
- 100% steam in 5 minutes
- Soft Closing
- Energy Class A++



Features

Atmos steam oven has 24 cooking functions. Its control panel opens automatically to help you fill the water tank without opening the oven. Numerous are recipes available, even for prolonged cooking (up to 3 hours of continuous steam). Water level sensor and reset notice. Cavity and circuit cleaning and descaling functions.

This product comes with the following accessories: fully removable telescopic rails, a Meat Probe, a stainless steel steam kit (perforated tray and surface with support), an AirFry tray, an enamelled tray, and a flat grill rack.



FCSO 6023 TEM X
EAN 8019801032266

PLANO

ATMOS STEAM OVEN 60



FCSO 6023 TEM X			
Type	Combined Steam		
Dimension	60		
Structure - Finish	Stainless steel		
Temperature regulation	Electronic		
FEATURES			
Efficiency class	A++		
Capacity (litres)	65		
Forced cooling	•		
Meat probe	•		
Sizes	Timer 12 / 24 - Temperature °C / °F - Weight Kg / lb		
Cooking functions	Classic 11	Steam 6	Special 7
Max cooking temperature	250 °C		
Grill power (W)	1200 + 1000		
Steam cooking autonomy	> 3 hours		
Water tank capacity	1.5 l (Topping up without door opening)		
Dashboard opening - touch control	•		
FUNCTIONS			
	Classic Pizza function at 250 °C		AirFry (oven-frying)
	Steam cooking from 30 ° to 100°C		Pre-loaded and editable recipes
	Puff function		Low-temperature cooking
	Sous vide		Defrost function with steam
	Leavening function		Regeneration (180 °C)
CONTROL PANEL			
Display Control type	TFT 3.5" MODULAR - Electronic (double full touch keypad)		
Fast recipe selection	•		
Languages	15		
FEATURES			
	Demo Mode		Steam cleaning function
	Beep volume setting		Circuit cleaning function
	Display brightness setting		Sabbath mode
	Descaling function		Event logs (for assistance)
OVEN DOOR			
Cool touch - no. of glass panes	3		
Closure	soft closed		
ACCESSORIES			
Side rack levels	5 (removable side racks)		
Rectangular halogen light (20 W)	2		
Fully removable telescopic rails	1 pair		
S. Steel Gastronorm perforated tray	1		
Gastronorm tray	1		
Tray support frame	1		
Enamelled trays	1		
Enamelled tray AirFry	1		
Flat racks	1		
DIMENSIONS			
Product (W x H x D) mm	594 x 596 x 560		
Built-In Cut Out (W x H x D) mm	560 x 595 x 560		
ELECTRICAL FEATURES			
Max electrical power	3.50 kW		
Voltage / Frequency (V - Hz)	220 - 240 V; 50 Hz		
Power cord	•		
Plug	Schuko		