

28" OVERLAY BUILT-IN FRIDGE



CODE ID

DISTINTO BUILT-IN FRIDGE

FM4BM28FBI



LED lighting



Total No Frost



Noise Level 39 (dB)



Active cooling



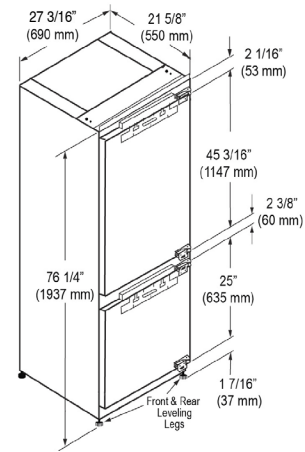
Integrated Installation

SPECIFICATIONS

Contemporary European design
Hettich™ hinge, allowing true integrated install
Digital display
Easy-glide crisper
Holiday mode / ECO mode
Temperature alarm
Super cool / Super freeze function
Glass shelves
LED lighting
Field reversible doors
Ultra quiet 39 dB(A)
3D door adjustment, for easy door panel alignment

DISTINTO

28" OVERLAY BUILT-IN FRIDGE



28" OVERLAY BUILT-IN FRIDGE FM4BM28FBI	
CONTROL	
Cooling system / Control system	Frost Free / Electronic
CAPACITIES	
Total net volume cu. ft. (L)	12 (341)
Fresh food net volume cu. ft. (L)	9 (257)
Freezer net volume cu. ft. (L)	3 (84)
FRIDGE FEATURES	
Control Display	Digital
Automatic Defrost	Yes
Interior Lighting	LED
Shelves / Crispers / Door Bins	4 Glass / 2 Transparent / 4
Compressor	Variable speed with inverter (VCC)
Fan Assisted Cooling / Air Duct Cover	Yes / Stainless
FREEZER FEATURES	
Automatic Defrost / Freezer Drawer	Yes / 3 Transparent
TECHNICAL INFO	
Dedicated Circuit, V/Amps	120/15
Supply voltage, V/Hz	120/60
Rated Current, Amps	0.8
Noise level, dB(A)	39
DIMENSIONS	
Product H x W x D, in (mm)	76-1/4 x 27-3/16 x 21-5/8 (1937 x 690 x 550)
Package H x W x D, in (mm)	78-3/4 x 28-3/4 x 22-15/16 (2000 x 730 x 583)
Product weight, lbs (kg)	148 (67)
Packed weight, lbs (kg)	159 (72)
Recommended Fridge Panel	
Height	Min 49 - 7/16" Max To be defined by application
Width	* see "Door Overlay Calculations"
Thickness	Min 3/4" Max 1-1/4"
Maximum Weight	46 lbs
Recommended Freezer Panel	
Height	Min 28 - 1/8" Max To be defined by application"
Width	* see "Door Overlay Calculations"
Thickness	Min 3/4" Max 1-1/4"
Maximum Weight	46 lbs
PERFORMANCE	
Energy Star Qualified / Refrigerant	Yes / R600a
FINISH OPTIONS	
Stainless / Panel Ready	No / Yes

* Door Overlay Panel Width Calculations;
+outside cabinet dimension
-gap space between cabinet doors/drawers walls (1/16" to 1/8" each side).
= overall door overlay panel width