

22" OVERLAY BUILT-IN FRIDGE

DISTINTO BUILT-IN FRIDGE



CODE ID

FM4BM22FBI



LED lighting



Total No Frost



Noise Level 39 (dB)



Active cooling



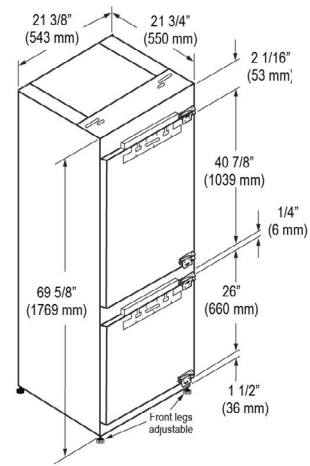
Integrated Installation

SPECIFICATIONS

Contemporary European design
Hettich™ hinge, allowing true integrated install
Digital display
Easy-glide crisper
Holiday mode / ECO mode
Temperature alarm
Super cool / Super freeze function
Glass shelves
LED lighting
Field reversible doors
Ultra quiet 41 dB(A)
3D door adjustment, for easy door panel alignment

DISTINTO

22" BUILT-IN FRIDGE



CONTROL		22" BUILT-IN FRIDGE FM4BM22FBI	
Cooling system / Control system	Frost Free / Electronic		
CAPACITIES			
Total net vol. cu. ft. (L)	8.37 (237)		
Fresh food net vol. cu. ft. (L)	6.0 (170)		
Freezer net vol. cu. ft. (L)	2.37 (67)		
FRIDGE FEATURES			
Control Display	Digital		
Automatic Defrost / Interior Lighting	Yes / LED		
Shelves / Crispers	3 Glass Shelves / 2 Transparent Crispers		
Door Bins	3		
Compressor	Variable speed with inverter (VCC)		
Fan Assisted Cooling / Air Duct Cover	Yes / Stainless		
FREEZER FEATURES			
Automatic Defrost	Yes		
Freezer Drawer	3 Transparent		
TECHNICAL INFO			
	Dedicated Circuit, V/Amps	120/15	Current, Amps 2
	Supply voltage, V/Hz Rated	115/60	Noise level, dB(A) 41
DIMENSIONS			
Product H x W x D, in (mm)	69 - 5/8 x 21 - 1/4 x 21 - 5/8 (1769 x 540 x 550)		
Package H x W x D, in (mm)	72 - 7/16 x 22-7/16 x 22-9/16 (1840 x 570 x 573)		
Product weight, lbs (kg)	133 (60)		
Packed weight, lbs (kg)	144 (65)		
Recommended Fridge Panel			
Height	Min 42-7/8" Max To be defined by application	Min 1088 mm Max To be defined by application	
Width	* see "Door Overlay Calculations"		
Thickness	Min 3/4" Max 1-1/4"	Min 19 mm Max 32 mm	
Maximum Weight	46 lbs	20 kg	
Recommended Freezer Panel			
Height	Min 28 - 1/8" Max To be defined by application	715 mm Max To be defined by application	
Width	* see "Door Overlay Calculations"		
Thickness	Min 3/4" Max 1-1/4"	Min 19 mm Max 32 mm	
Maximum Weight	46 lbs	20 kg	
PERFORMANCE			
Energy Star Qualified / Refrigerant	Yes / R600a		
FINISH OPTIONS			
Stainless / Panel Ready	No / Yes		

* Door Overlay Panel Width Calculations;
+outside cabinet dimension
-gap space between cabinet doors/drawers walls (1/16" to 1/8" each side).
= overall door overlay panel width