

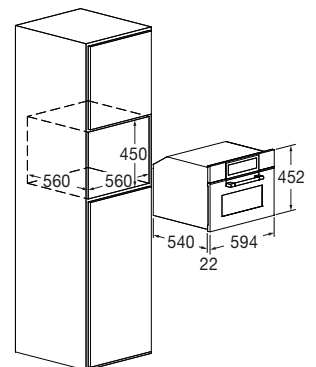


Combi Microwave Oven 45

FCLCMO 4510 TEM BK



- Deep Black finish
- 10 Combined functions
- AirFry (oven-frying) function
- Creative Extended controls
- Automatic Cooking
- Microwave with 6 power levels
- Cooking with assisted ventilation
- Combined cooking (microwave & grill)
- Defrosting
- 3-pane glass cool-touch door)



Features

The control panel has different functions, including preset cooking functions and the possibility to modify the recipes. Fulgor Milano combi oven is the solution to heat and cook food quickly, combining the advantages of a microwave oven with a traditional ventilated one. A complete and performing household appliance in a small space. With the microwave & ventilation function, you can cook golden brown dishes on the outside and well-cooked on the inside in no time. This product comes with the following accessories: a glass turntable plate, a stainless steel tray, a flat grill rack and a round grill rack.



DEEP BLACK GLASS
FCLCMO 4510 TEM BK
EAN 8019801023226

CLUSTER

45" OVENS



FCLCMO 4510 TEM BK	
Type	Combined Microwave
Finish	Deep Black
Interiors: enamelled / other	Stainless steel
FEATURES	
Efficiency class	-
Capacity (litres)	34 L
Forced cooling	•
Functions no.	10
PERFORMANCE	
Max cooking temperature	230° C
Pre-loaded and editable recipes	•
AirFry (oven-frying)	•
Steam cooking 100° C / 130° C	- / -
Assisted cooking 100 °C	-
Mixed steam / convection	-
Defrosting (time/weight)	•
Assisted cleaning (CLEAN)	-
Microwave / Grill	•
Microwave / Convection	•
Microwave power (W)	900 W
Microwave power levels	6
Grill power (W)	1500 W
CONTROLS	
Control type	Creactive Extended
Easy Access	•
Meat probe	-
On/off icon	•
Electronic temperature regulation	•
Forced cooling	•
Internal light	•
SAFETY	
Safe door / no. of glass panes	• / 3
ACCESSORIES	
Lighting (Halogen, 25 W) no.	1
Removable Water Tank	-
S.Steel Gastronorm Tray	•
Standard Flat Grill Rack / removable no.	1 / -
S.Steel Perforated Tray with Lid	-
Glass turntable plate	•
Round Grill Rack	•
POWER RATING	
Max electrical power (W)	3200 W
Voltage / Frequency (V - Hz)	220 - 240 V; 50 Hz
Power cord	•
Plug	Schuko
DIMENSIONS	
Width (mm)	594
Height (mm)	452
Depth (mm)	562
Built-In Cut Out (W x H x D) mm	560 x 450 x 560