

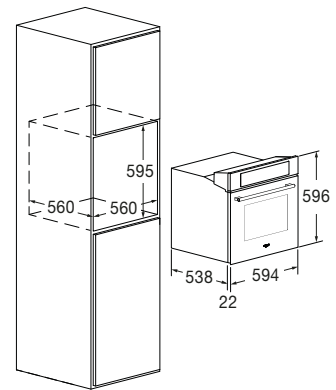


## Multifunction Oven 60

FCO 6215 TEM X



- Stainless steel finish
- 16 functions
- AirFry (oven-frying) function
- Creative Extended controls
- Meat probe
- Fast Pre-Heat BOOSTER
- CLEAN assisted cleaning cycle
- Soft Closing
- Telescopic rails
- 3-pane glass cool-touch door
- Energy Class A++



## Features

The control panel has different functions, including preset cooking functions and the possibility to modify the recipes. With the Meat Probe, you can obtain perfect results because it allows you to monitor the cooking progress by measuring the food core temperature.

This product comes with the following accessories: two sets of telescopic rails, a Meat Probe, an enamelled tray, a flat rack, a rotisseries kit and an enamelled AirFry tray.



STAINLESS STEEL  
FCO 6215 TEM X  
EAN 8019801027675

# PLANO

MULTIFUNCTION OVEN 60



| <b>FCO 6215 TEM X</b>                   |                          |
|---|--------------------------|
| Type / Finish                           | Electronic multifunction |
| Finish                                  | Stainless Steel          |
| Interiors: enamelled / other            | Ultra Black Piro / -     |
| <b>FEATURES</b>                         |                          |
| Efficiency class                        | A ++                     |
| Capacity (litres)                       | 65 L                     |
| Forced cooling                          | •                        |
| Functions no.                           | 16                       |
| <b>PERFORMANCE</b>                      |                          |
| Max cooking temperature                 | 250 °C                   |
| Assisted cleaning (CLEAN)               | •                        |
| <b>CONTROLS</b>                         |                          |
| Operating system                        | Creative Extended        |
| AirFry (oven-frying)                    | •                        |
| Pre-loaded and editable recipes         | •                        |
| Auto power off / Booster                | • / •                    |
| Meat probe                              | •                        |
| <b>SAFETY</b>                           |                          |
| Cool-touch door / no. of glass panes    | • / 3                    |
| Door with Side opening                  | •                        |
| <b>ACCESSORIES</b>                      |                          |
| Lighting (Halogen, 20 W) no.            | 2                        |
| Set of telescopic rails no.             | 2                        |
| Trays no. / type                        | 1 / enamelled            |
| Enamelled Airfry trays / Flat racks no. | 1 / 1                    |
| <b>POWER RATING</b>                     |                          |
| Max electrical power (W)                | 3500W                    |
| Voltage / Frequency (V - Hz)            | 220 - 240 V; 50 - 60 Hz  |
| Power cord / Plug                       | • / Schuko               |
| <b>DIMENSIONS</b>                       |                          |
| Width (mm)                              | 594                      |
| Height (mm)                             | 596                      |
| Depth (mm)                              | 560                      |
| Built-In Cut Out (W x H x D) mm         | 560 x 595 x 560          |