

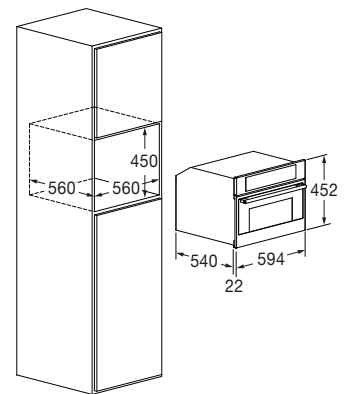


Combi Steam Oven 45

FCSO 4510 TEM WH



- White Glass finish
- 11 functions
- AirFry (oven-frying) function
- Creative Extended controls
- Meat probe
- Steam cooking
- Combined cooking
- Steam recovery cycle
- CLEAN assisted cleaning cycle
- 3-pane glass cool-touch door
- Energy Class A++



Features

Steam ovens cook food gently, healthily, and efficiently while preserving its organoleptic properties. The control panel has different functions, including preset steam cooking functions and the possibility to modify the recipes. With the Meat Probe, you can obtain perfect results because it allows you to monitor the cooking progress by measuring the food core temperature. This product comes with the following accessories: a meat probe, a perforated tray with lid, a stainless steel support for perforated tray, a stainless steel tray, a flat grill rack and a water tank.



WHITE GLASS
FCSO 4510 TEM WH
EAN 8019801030637

PLANO

STEAM OVEN 45



| FCSO 4510 TEM WH | |
|--|--------------------|
| Type | Combined Steam |
| Finish | White Glass |
| Interiors: enamelled / other | Stainless steel |
| FEATURES | |
| Efficiency class | A ++ |
| Capacity (litres) | 34 L |
| Forced cooling / Meat probe | • / • |
| Functions no. | 11 |
| PERFORMANCE | |
| Max cooking temperature | 230 °C |
| AirFry (oven-frying) | • |
| Pre-loaded and editable recipes | • |
| Steam 100 °C / 130 °C | • / • |
| Puff function | • |
| Steam + Thermoventilated | • |
| Assisted cleaning (CLEAN) | • |
| Grill power (W) | 1500 W |
| CONTROLS | |
| Operating system | Creactive Extended |
| Easy access / Auto power off | • / • |
| SAFETY | |
| Safe door / no. of glass panes | • / 3 |
| Safety switch | • |
| ACCESSORIES | |
| Lighting (Halogen, 25 W) no. | 1 |
| Removable Water Tank | • |
| S.Steel Gastronorm Tray | • |
| Standard Flat Grill Rack / removable no. | 1 / 1 |
| S.Steel Perforated Tray with Lid | • |
| POWER RATING | |
| Max electrical power (W) | 3200 W |
| Voltage / Frequency (V - Hz) | 220 - 240 V; 50 Hz |
| Power cord / Plug | • / Schuko |
| DIMENSIONS | |
| Width (mm) | 594 |
| Height (mm) | 452 |
| Depth (mm) | 556 |
| Built-In Cut Out (W x H x D) mm | 560 x 450 x 560 |