

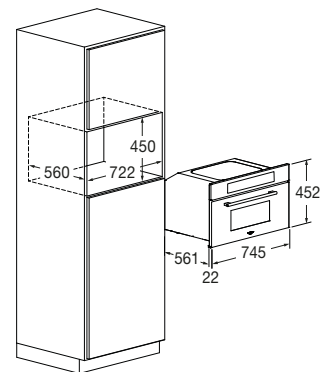


Steam oven 75x45

FCSO 7510 TEM BK



- Black Glass finish
- 11 functions
- AirFry (oven-frying) function
- Creative Extended controls
- Meat probe
- Steam cooking
- Combined cooking
- Steam recovery cycle
- CLEAN assisted cleaning cycle
- 3-pane glass cool-touch door
- Energy Class A++



Features

The control panel has different functions, including preset cooking functions and the possibility to modify the recipes. With the Meat Probe, you can obtain perfect results because it allows you to monitor the cooking progress by measuring the food core temperature. This product comes with the following accessories: a meat probe, a perforated tray with lid, a stainless steel support for perforated tray, a stainless steel tray, a flat grill rack and a water tank.



BLACK GLASS  
 FCSO 7510 TEM BK  
 EAN 8019801032273

# PLANO

STEAM OVEN 75X45



FCSO 7510 TEM BK	
Type	Combined Steam
Finish	Black Glass
Interiors: enamelled / other	Stainless steel
<b>FEATURES</b>	
Efficiency class	A ++
Capacity (litres)	34 L
Forced cooling / Meat probe	• / •
Functions no.	11
<b>PERFORMANCE</b>	
Max cooking temperature	230 °C
AirFry (oven-frying)	•
Pre-loaded and editable recipes	•
Steam 100 °C / 130 °C	• / •
Steam puff 100 °C	•
Steam + Thermoventilated	•
Assisted cleaning (CLEAN)	•
Grill power (W)	1500 W
<b>CONTROLS</b>	
Operating system	Creactive Extended
Easy access / Auto power off	• / •
<b>SAFETY</b>	
Safe door / no. of glass panes	• / 3
Safety switch	•
<b>ACCESSORIES</b>	
Lighting (Halogen, 25 W) no.	1
Removable water tank	•
S.Steel Gastronorm Tray	•
Standard Flat Grill Rack / removable no.	1 / 1
S.Steel Perforated Tray with Lid	•
<b>POWER RATING</b>	
Max electrical power (W)	3200 W
Voltage / Frequency (V - Hz)	220 - 240 V; 50 Hz
Power cord / Plug	• / Schuko
<b>DIMENSIONS</b>	
Width (mm)	745
Height (mm)	452
Depth (mm)	561
Built-In Cut Out (W x H x D) mm	722 x 450 x 560