

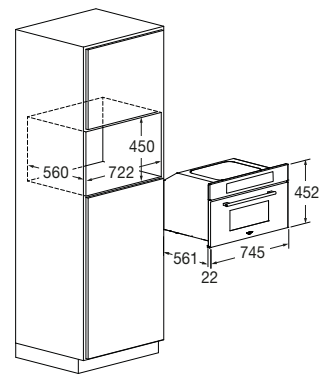


Steam oven 75x45

FCSO 7510 TEM X



- Stainless steel finish
- 11 functions
- AirFry (oven-frying) function
- Creative Extended controls
- Meat probe
- Steam cooking
- Combined cooking
- Steam recovery cycle
- CLEAN assisted cleaning cycle
- 3-pane glass cool-touch door
- Energy Class A++



Features

The control panel has different functions, including preset cooking functions and the possibility to modify the recipes. With the Meat Probe, you can obtain perfect results because it allows you to monitor the cooking progress by measuring the food core temperature. This product comes with the following accessories: a meat probe, a perforated tray with lid, a stainless steel support for perforated tray, a stainless steel tray, a flat grill rack and a water tank.



STAINLESS STEEL
FCSO 7510 TEM X
EAN 8019801032242

PLANO

STEAM OVEN 75X45



FCSO 7510 TEM X	
Type	Combined Steam
Finish	Stainless Steel
Interiors: enamelled / other	Stainless steel
FEATURES	
Efficiency class	A ++
Capacity (litres)	34 L
Forced cooling / Meat probe	• / •
Functions no.	11
PERFORMANCE	
Max cooking temperature	230 °C
AirFry (oven-frying)	•
Pre-loaded and editable recipes	•
Steam 100 °C / 130 °C	• / •
Steam puff 100 °C	•
Steam + Thermoventilated	•
Assisted cleaning (CLEAN)	•
Grill power (W)	1500 W
CONTROLS	
Operating system	Creactive Extended
Easy access / Auto power off	• / •
SAFETY	
Safe door / no. of glass panes	• / 3
Safety switch	•
ACCESSORIES	
Lighting (Halogen, 25 W) no.	1
Removable water tank	•
S.Steel Gastronorm Tray	•
Standard Flat Grill Rack / removable no.	1 / 1
S.Steel Perforated Tray with Lid	•
POWER RATING	
Max electrical power (W)	3200 W
Voltage / Frequency (V - Hz)	220 - 240 V; 50 Hz
Power cord / Plug	• / Schuko
DIMENSIONS	
Width (mm)	745
Height (mm)	452
Depth (mm)	561
Built-In Cut Out (W x H x D) mm	722 x 450 x 560