

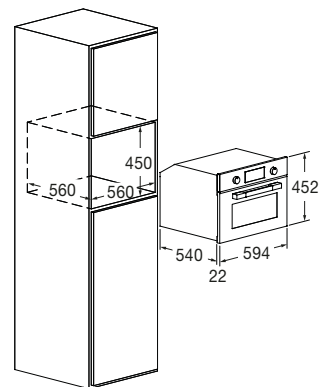


## Microwave and grill oven 45

FUGMO 4505 MT MBK



- Matte Black Metal finish
- Metal knobs
- 3 functions
- Digit Timer (on-off) | Knobs
- Microwave with 6 power levels
- Microwave & grill
- Defrosting
- 3-pane glass cool-touch door



## Features

This product stands out for its classic user-friendly knob control completed with a functional digital display. The various timing functions are easy to set and clearly intelligible. The oven features a 34 l stainless steel cooking chamber. Moreover, it's fitted with an efficient safety system, including a door with a safety lock and tangential cooling ventilation. The appliance comes with a round and flat rack and a turntable plate.



MATTE BLACK METAL  
FUGMO 4505 MT MBK  
EAN 8019801027897



FUGMO 4505 MT MBK	
Type	Microwave with grill
Estetica	Matte Black Metal
<b>FEATURES</b>	
Interiors: enamelled / other	Stainless steel
Capacity (litres)	34 L
Forced cooling	•
Functions no.	3
<b>PERFORMANCE</b>	
Max cooking temperature	230 °C
Grill power (W)	1500 W
Microwave power (W)	900 W
Microwave power levels	6
Cooking with Grill	•
<b>CONTROLS</b>	
Control type	Digital timer + Knobs
Auto power off	•
<b>SAFETY</b>	
Safe door / no. of glass panes	• / 3
<b>ACCESSORIES</b>	
Flat grill racks no.	1
Round grill rack / Glass turntable plate	• / •
<b>POWER RATING</b>	
Max electrical power (W)	3200 W
Voltage / Frequency (V - Hz)	220 - 240 V; 50 Hz
Power cord / Plug	• / Schuko
<b>DIMENSIONS</b>	
Dim. Product (W x H x D) mm	594 x 452 x 562
Built-In Cut Out (W x H x D) mm	560 x 450 x 560