

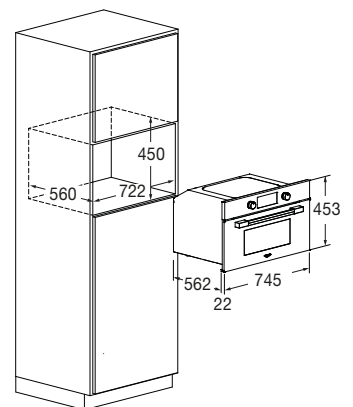


Steam oven 75x45

FUSO 7505 MT GBK



- Black Glass finish
- Metal knobs
- 2 functions
- Digit Timer (on-off) | Knobs
- Steam cooking
- Grill
- Automatic descaling system
- Safe door
- Energy Class A++



Features

Steam ovens cook food gently, healthily, and efficiently while preserving its organoleptic properties. The oven features a 34 l stainless steel cooking chamber. Moreover, it's fitted with an efficient safety system, including a door contact switch and tangential cooling ventilation. The appliance comes with the following accessories: a perforated tray with lid, a stainless steel support for perforated tray, a stainless steel tray, a flat grill rack and a water tank.



BLACK GLASS
FUSO 7505 MT GBK
EAN 8019801032198



| FUSO 7505 MT GBK | |
|---------------------------------|--|
| Type | Steam with grill |
| Estetica | Black Glass |
| FEATURES | |
| Interiors: enamelled / other | Stainless steel |
| Capacity (litres) | 34 L |
| Forced cooling | • |
| Functions no. | 2 |
| PERFORMANCE | |
| Max cooking temperature | 230 °C |
| Steam 100 °C / 130 °C | • / - |
| Grill power (W) | 900 W |
| Cooking with Grill | • |
| CONTROLS | |
| Control type | Digital timer + Knobs |
| Auto power off | • |
| SAFETY | |
| Safe door / no. of glass panes | • / 3 |
| ACCESSORIES | |
| Stainless steel steam set | Microperforated tray with lid, liquid-collection tray and support |
| Flat grill racks no. | 1 |
| Water tank no. | 1 |
| POWER RATING | |
| Max electrical power (W) | 1200 W |
| Voltage / Frequency (V - Hz) | 220 - 240 V; 50 Hz |
| Power cord / Plug | • / Schuko |
| DIMENSIONS | |
| Width (mm) | 745 |
| Height (mm) | 452 |
| Depth (mm) | 561 |
| Built-In Cut Out (W x H x D) mm | 722 x 450 x 560 |