

# 30" COMBI STEAM OVEN





CODE ID

700 SERIES OVEN

**F7DSCO30S1**



-  Steam Cooking
-  Steam Limescale Filter
-  True Convection
-  Automatic Cooking
-  Meat Probe
-  Cool Touch Door
-  Multi-level cooking

## SPECIFICATIONS

### FEATURES

3 in 1 Oven:  
Steam, Convection, and Combi-steam  
Stainless Interior with broiler  
Quick Access Menu  
Automatic Programs  
Meat Probe  
240/120 VAC Connection  
Steam Generator

### PERFORMANCE

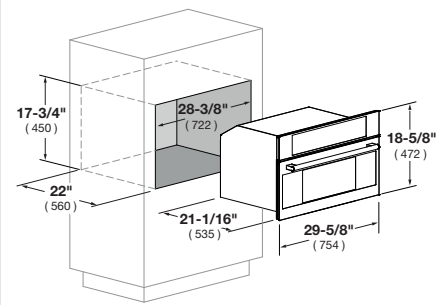
12 Functions  
Automatic Cooking  
Pre-selected and customizable recipes  
(weight, temperature, cooking time)  
Steam System  
Combined Cooking Functions  
Steam Recovery Cycle  
CLEAN, assisted cleaning cycle for  
oven interior and steam circuit



This product meets ADA (Americans with Disabilities Act) requirements. Please check with your local municipality's codes and stipulations for additional details to ensure compliance.

# DISTINTO

## 30" COMBI STEAM OVEN



CODE ID	30" COMBI STEAM OVEN F7DSCO30S1	
Series	700	
Finish	Stainless Steel	
<b>CONTROL PANEL</b>		
Programming	MODULAR - Electronic	
Control Type	Dual Full Touch Keyboard	
Automatic Cooking	•	
Auto power off	•	
<b>OVEN</b>		
Type	Steam Oven	
Interiors	Stainless Steel	
Pull-down Door	•	
<b>MAIN FEATURES</b>		
Total Capacity ( lt )	39.9	
Total Capacity ( cu. ft. )	1.41	
Tangential cooling ventilation	•	
Total no. of modes	12	
<b>PERFORMANCE</b>		
Maximum cooking temperature	230°C / 446°F	
Automatic Cooking	•	
Steam 210°F / 270°F	•	
Steam Injection 210°F	•	
Steam + Fan Assisted	•	
Assisted Cleaning (CLEAN)	•	
Power Output Grill (W)	1500	
Oven Lights	1x20W Halogen	
Broil Upper Heating Element	1500W (240V)	
Steamer	1500W (240V)	
Lower Element Wattage	300W (240V)	
Convection Element Wattage	2300W (240V)	
<b>SAFETY</b>		
Safety Door/ no. Panes of Glass	•/3	
Control Lock	•	
<b>ACCESSORIES</b>		
No. of Lights (20 W halogen)	1	
Removable tank (liters / fl oz)	1.4 / 45	
No./Type of Gastronorm Trays	2 / Stainless Steel	
Grey Metal Flat/no. of Supports	1 / 1	
<b>DIMENSIONS / WEIGHT</b>		
Width in/mm	29 - 7/8"	758 mm
Height in/mm	18 - 5/8"	473 mm
Depth in/mm	21"	533 mm
Recess (LxHxP) in/mm	(25 - 3/4" x 18" x 22")	(654 x 458 x 560 mm)
<b>POWER / RATINGS</b>		
KW/Amps rating at 120/240V, 60Hz	3.3kW - 13.7A	
KW/Amps rating at 120/208V, 60Hz	2.48kW - 11.9A	
Power Cord	Cable + Conduit	
<b>INSTRUCTIONS FOR USE</b>		
Use & Care Manual / Installation Manual	English / French / Spanish	